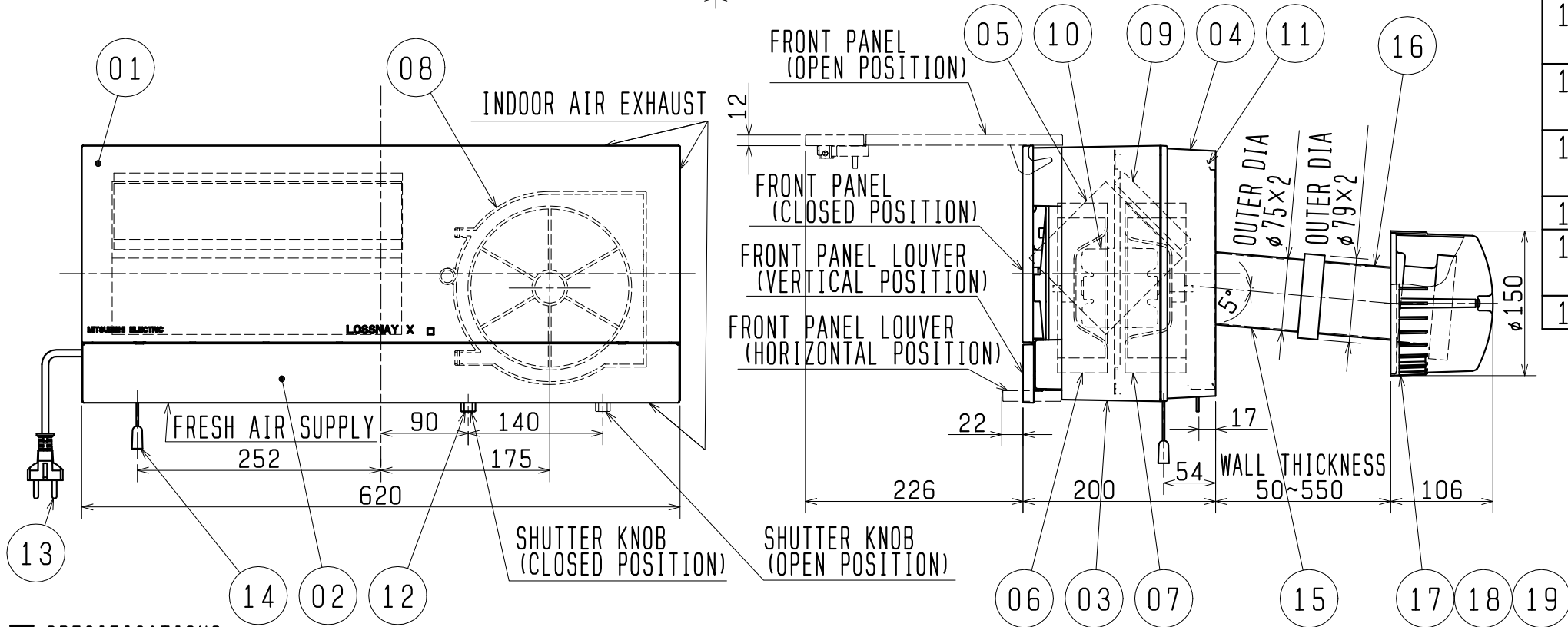
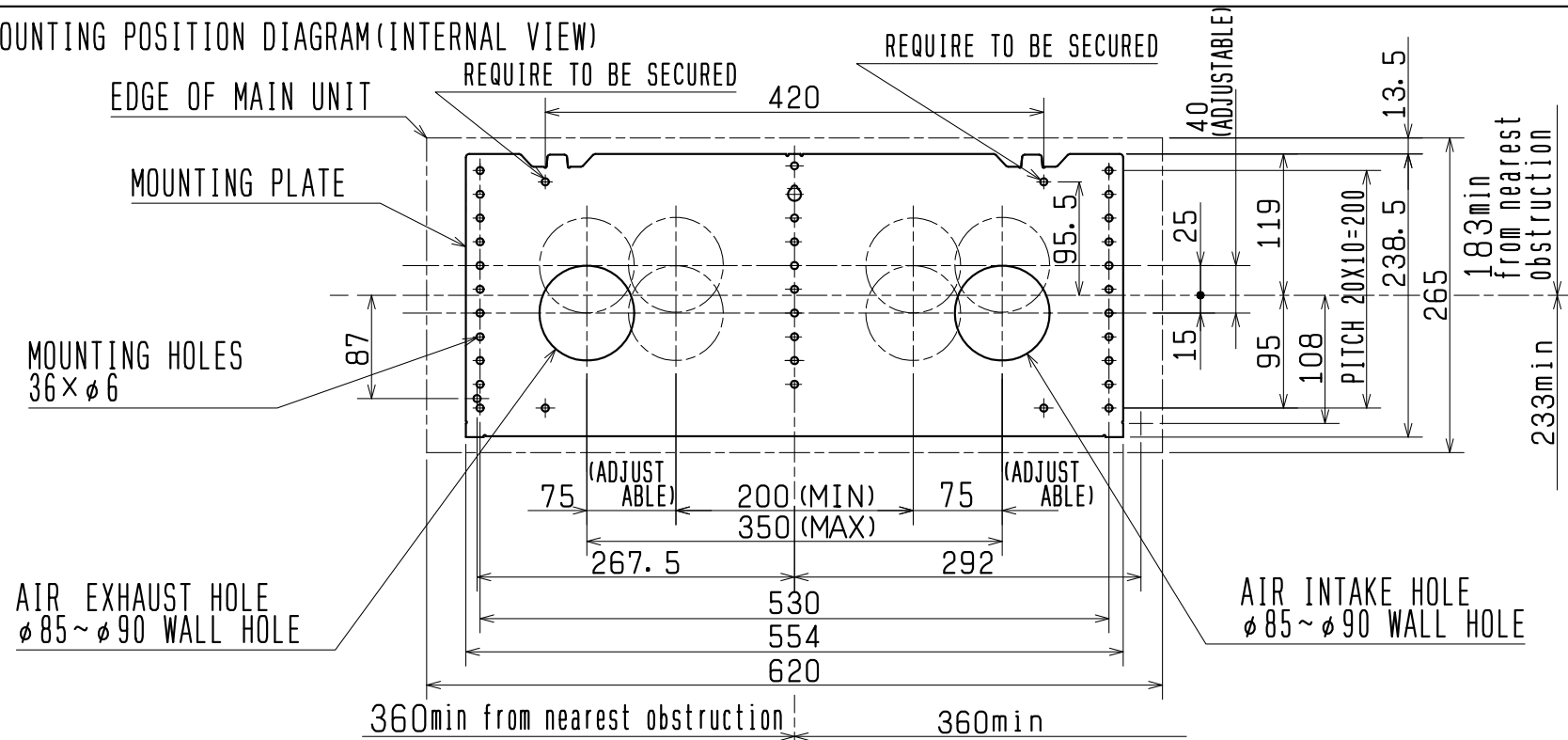
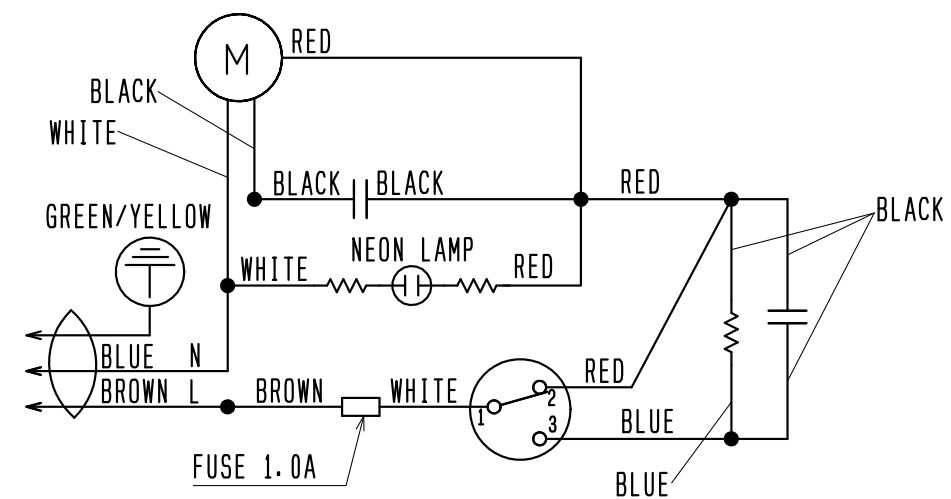


■ MOUNTING POSITION DIAGRAM (INTERNAL VIEW)



| No. | PARTS NAME | MATERIAL | REMARKS |
|-----|---|-------------------------|----------------------|
| 01 | FRONT PANEL | SYNTHETIC RESIN | MUNSELL 0.8GY9.0/0.5 |
| 02 | FRONT PANEL LOUVER | SYNTHETIC RESIN | MUNSELL 0.8GY9.0/0.5 |
| 03 | FRONT CASING | SYNTHETIC RESIN | MUNSELL 0.8GY9.0/0.5 |
| 04 | BACK CASING | SYNTHETIC RESIN | MUNSELL 0.8GY9.0/0.5 |
| 05 | HEAT EXCHANGER | SPECIALLY TREATED PAPER | |
| 06 | VANE FOR AIR EXHAUST | SYNTHETIC RESIN | |
| 07 | VANE FOR AIR SUPPLY | SYNTHETIC RESIN | |
| 08 | FILTER (AIR EXHAUST) | SYNTHETIC RESIN | |
| 09 | FILTER (AIR SUPPLY) | NON-WOVEN FABRIC | |
| 10 | MOTOR | | |
| 11 | MOUNTING PLATE | GALVANIZED STEEL SHEET | |
| 12 | SHUTTER | SYNTHETIC RESIN | |
| 13 | POWER SUPPLY CORD | | |
| 14 | AIR VOLUME SELECTOR SWITCH CORD | | |
| 15 | AIR SUPPLY/EXHAUST PIPE A | SYNTHETIC RESIN | |
| 16 | AIR SUPPLY/EXHAUST PIPE B (FOR EXTENSION) | SYNTHETIC RESIN | |
| 17 | WEATHER COVER | SYNTHETIC RESIN | |
| 18 | WEATHER COVER MOUNTING PLATE | SYNTHETIC RESIN | |
| 19 | FLANGE NUT | SYNTHETIC RESIN | |

■ WIRING DIAGRAM



■ SPECIFICATIONS

| POWER SUPPLY | | NOTCH | POWER CONSUMPTION (W) | AIR VOLUME (m³/h) | TEMPERATURE EXCHANGE EFFICIENCY (%) | SOUND LEVEL (dB) | WEIGHT (kg) |
|-------------------|-------------|---------------------------------------|-----------------------|-------------------|-------------------------------------|------------------|-------------|
| FREQUENCY (Hz) | VOLTAGE (V) | | | | | | |
| 50 | 220 | HI | 30 | 100 | 73 | 36.5 | 7.5 |
| | | LO | 13 | 55 | 80 | 24 | |
| | 230 | HI | 31 | 105 | 73 | 37 | |
| | | LO | 15 | 60 | 80 | 25 | |
| | 240 | HI | 34 | 106 | 72 | 38 | |
| | | LO | 17 | 61 | 79 | 27 | |
| TYPE OF MOTOR | | CONDENSER MOTOR-4POLES / SINGLE PHASE | | | | | |
| WITHSTAND VOLTAGE | | AC 1000V 1 MINUTE | | SHUTTER | | MANUAL OPERATION | |

※THE TESTING METHODS ARE BASED ON JAPANESE INDUSTRIAL STANDARD B 8628.

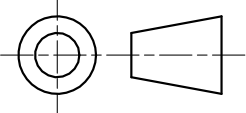

※SPECIFICATIONS ARE SUBJECT TO CHANGE WITHOUT NOTICE.

| | | | |
|---------------------------------|--------------|-----------|------------------------------------|
| | Date | Model | VL-100U ₅ -E LOSSNAY |
| | May-20. 2013 | | |
| MITSUBISHI ELECTRIC CORPORATION | Number | NB412009B | 1/2 |

(Cautions)

- Install this product in an environment where the temperature and humidity is in below ranges.
 Outdoor : from -10℃ to +40℃
 Indoor : from 0℃ to +40℃
 * If outdoor temperature is -10℃, indoor temperature and relative humidity should not exceed the dew point temperature 6.0℃ (e.g. RH 40% / 20℃)
- To prevent freezing or damage to the Lossnay Core, stop the unit and close the shutter if the outside temperature falls below -10℃ and the room's humidity rises above 40%.
- If there is much humidity emitted from building materials in new residential housing, waterdrop may appear to the panel surface of the unit.
- If waterdrop appears to the panel surface of the unit, wipe off it with cloth, etc.
- When the unit is not operating, slide the shutter to the closed position if the weather is windy, dense foggy or snowstorm.
- You can open the shutter when the unit is off to use as a natural ventilation.
- This appliance is not intended for use by persons (including children) with reduced physical, sensory or mental capabilities, or lack of experience and knowledge, unless they have been given supervision or instruction concerning use of the appliance by a person responsible for their safety.
- Children should be supervised to ensure that they do not play with the appliance.
- Do not use the unit in bathrooms, washrooms, etc., since it is not wetproof structure.
 It leads the cause of an electric shock and unit damage.
- Prepare the air intake hole of the outdoor side to be in the appropriate position where the fresh air is to take in.
 (Check its position not taking in the exhaust gas, such as from boilers and cars.)
 Otherwise, the internal air may be short of oxygen.
- Do not install the unit under the high temperature condition (40℃ or more).
 It leads the cause of early unit damage.
- Do not install the unit in the place with much soot, such as a kitchen, or the place where the organic solvent is poured.
- Do not install in corrosive areas such as high saline areas or near sulfurous springs.
- Make sure to use the unit combined with supplied optional parts, such as outdoor weather cover.
 Otherwise, water and snow may permeate in the place where rain water and snow fall on directly.
- We recommend to install the unit in the place separated from the bed.
 (There may be the possibility of feeling the operating sound or the feeling cold wind at the time of sleeping.)
- Install the unit in the place where it can be cleaned with ease, since its built-in filter can be blocked with dust, etc.
 (Although the built-in filter prevents the dust, etc. from the open air, the unit and its around may become dirty.)
- Since the accumulation efficiency of the open air purification filter is 82% by the mass method,
 some of small particles or insects, etc. may pass.
- In mid-rise and high-rise buildings or in coastal and other areas prone to strong winds, wind could blow into the unit when it is not operating.
 Install the Lossnay where it will not be directly subject to wind.
- Do not use the Lossnay in areas prone to damage from salt or hot springs.

※SPECIFICATIONS ARE SUBJECT TO CHANGE WITHOUT NOTICE.

| | | | |
|---|--------------|---------------|------------------------------------|
|  | Date | Model | VL-100U ₅ -E LOSSNAY |
| | May-20. 2013 | | |
|  MITSUBISHI ELECTRIC CORPORATION | Number | NB412009B 2/2 | |